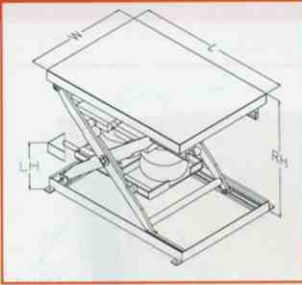


# LIFT TABLE

1,000/2,000/4,000/6,000 LBS



## CAPACITY

- 1,000/2,000/4,000/6,000 lbs.

## PLATFORM SIZES

- 32" wide x 48" long to 72" wide x 72" long

## BASE SIZES

- Standard 32" and 48" wide x 48" long

## TRAVEL

- 24" vertical travel

## LOWERED HEIGHT

- 9"

## SAFETY

- Flip over maintenance stop
- Captured rollers

## POWER SUPPLY

### Air Bag

- Pedestal Mounted Hand Control (up/down valve)
- Covered Foot Control (optional)



## MAINTENANCE

- Hinged table top provides easy access to air bag
- Self lubricated bronze bushings on all wear points

## OPTIONS

- Oversized platforms
- Corner gussets
- Beveled edges for pit mounting
- Eye-bolts for pit mounting
- Rotating tops
  - spring detents
  - manual detents
- Roller conveyor, Ball transfer tops
- Bellow safety skirting
- Semi-portable
- Portable
- Motion stabilizer
- Fork pockets
- Safety lock-out valves
- Ross air valves

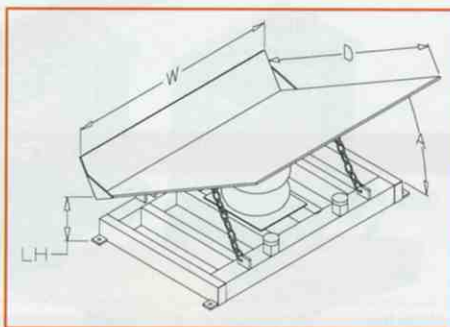
## OPTIONS



MODEL NO.	CAPACITY (LBS.)	STD. PLAT. BASE wide x length (W x D) (IN.)	OVERSIZED PLATFORM (UP TO) (IN.)	LOW HEIGHT (LH) (IN.)	TRAVEL (IN.)	RAISED HT (RH) (IN.)	# AIR BAGS	SHIPPING WT (LBS)
<b>BASE SIZE: 32" WIDE x 48" LONG</b>								
ABSL 10-3248	1,000	32 x 48	56 x 72	9	24	33	1	650
ABSL 20-3248	2,000	32 x 48	56 x 72	9	24	33	1	685
ABSL 40-3248	4,000	32 x 48	56 x 72	9	24	33	2	725
<b>BASE SIZE: 48" WIDE x 48" LONG</b>								
ABSL 10-4848	1,000	48 x 48	72 x 72	9	24	33	1	720
ABSL 20-4848	2,000	48 x 48	72 x 72	9	24	33	1	745
ABSL 40-4848	4,000	48 x 48	72 x 72	9	24	33	2	870
ABSL 60-4848	6,000	48 x 48	72 x 72	9	24	33	4	925

# TILT TABLE

1,000/2,000/4,000/6,000 LBS



## CAPACITY

- 1,000/2,000/4,000/6,000 lbs.

## TILT ANGLE

- 0-40 degrees (standard)

## FRONT RETAINING LIP

- 8" high (standard)

## SAFETY

- Restraining chain
- Maintenance Bar

## LOWERED HEIGHT

- 9"

## POWER SUPPLY

### Air

- Pedestal Mounted Hand Control (up/down valve)
- Covered Foot Control (optional)



## SAFETY

- Bellow safety skirting
- Retaining lip - larger or smaller
- Conveyor or ball transfer tops

## OPTIONS

- Platforms: larger or smaller
- Tilt Angle: restricted
- Mounted on carousel
- Ross air valves

## OPTIONS



MODEL NO.	CAPACITY (lbs.)	PLATFORM SIZE wide x deep (W x D) (IN.)	MAXIMUM PLATFORM SIZE wide x deep (W x D) (IN.)	LOW HEIGHT (LH) (IN.)	TILT ANGLE (A)	WEIGHT (lbs.)
<b>36" WIDE AIR BAG TILT TABLES</b>						
ABTRT-1-3636	1,000	36 x 36	48 x 48	9	40°	250
ABTRT-2-3636	2,000	36 x 36	48 x 48	9	40°	380
ABTRT-4-3636	4,000	36 x 36	48 x 48	9	40°	410
ABTRT-6-3636	6,000	36 x 36	48 x 48	9	40°	430
<b>50" WIDE AIR BAGS TILT TABLES</b>						
ABTRT-1-5050	1,000	50 x 50	72 x 72	9	40°	320
ABTRT-2-5050	2,000	50 x 50	72 x 72	9	40°	450
ABTRT-4-5050	4,000	50 x 50	72 x 72	9	40°	490
ABTRT-6-5050	6,000	50 x 50	72 x 72	9	40°	580