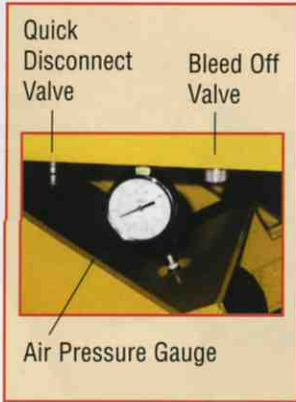


ERGO SELF LEVELLER

450-4,500 LBS



Pressure Gauge
Quick Disconnect and
manual bleed off valve

Total Height Available
Weight on Unit vs P.S.I. (in inches)

WEIGHT (LBS)	TOTAL HEIGHT		
	at 100 P.S.I.	at 80 P.S.I.	at 60 P.S.I.
0	33	33	33
250	30	28.5	27
500	28.25	26.75	25
1000	27	26	23.5
1500	26	25	22.75
2000	24.25	23.25	20.75
3000	19.25	17.75	15.25
4000	13.5	12.5	10.25
4500	10.5	9	9

NOTE: All total heights have a tolerance between +/- .25".

CAPACITY

- 450-4,500 lbs.

PLATFORM SIZES

- 32" wide x 48" long
to 56" wide x 72" long

BASE SIZE

- 32" wide x 48" wide

TRAVEL

- 24"

LOWERED HEIGHT

- 9"

SAFETY

- Restraining Chain
- Maintenance Bar

POWER SUPPLY

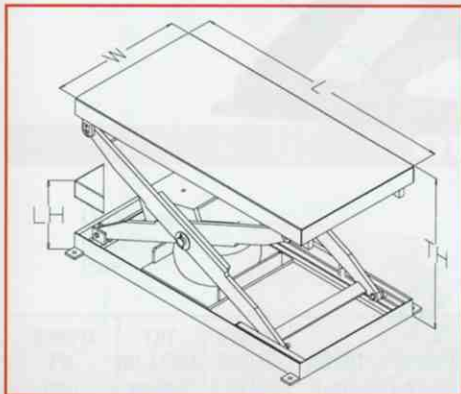
Air

MAINTENANCE

- Hinged table top provides easy access to air bag
- Self lubricated bronze bushings on all wear points

OPTIONS

- Oversized platforms
- Beveled edges for pit mounting
- Eye-bolts for pit mounting
- Rotating tops
 - spring detents
 - manual detents
- Roller conveyor, Ball transfer tops
- Bellow safety skirting
- Semi-portable
- Portable



OPTIONS



MODEL NO.	CAPACITY (LBS.)	PLATFORM/BASE SIZE (W x L) (IN.)	LOW HEIGHT (LH) (IN.)	TRAVEL (IN.)	TOTAL HT (TH) (IN.)	WEIGHT (LBS)
ESL45	450-4,500	32 x 48	9	24	33	600